

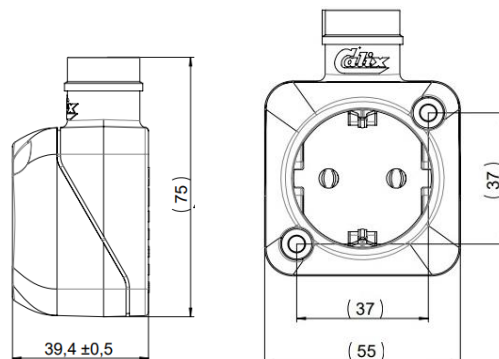
## Technical Data

### Calix preheater system components 230V AC

Preheater system consist of:  
 KVU 303 Interior wall outlet



Subject:	Data:	Note:
<b>1. Certification</b>		
		IEC 60884-1 SS 428 08 34
<b>2. Electrical Data</b>		
	Max. 250V/16A	SS EN 60335-1
<b>3. Temperature range</b>		
	-40°C to +80°C	IEC 60068-2-14 SS EN 60068-2-14
<b>4. Degree of protection</b>		
	IP20	SS EN 60 529
<b>5. Recycling</b>		
	100% recoverable	Swedish Environmental Protection Agency 2017/04/09
<b>6. Connector geometry</b>		
	Calix interface SI	
	Schuko	
<b>7. Dimension drawing</b>		



We reserve the right to change technical data without prior notice.