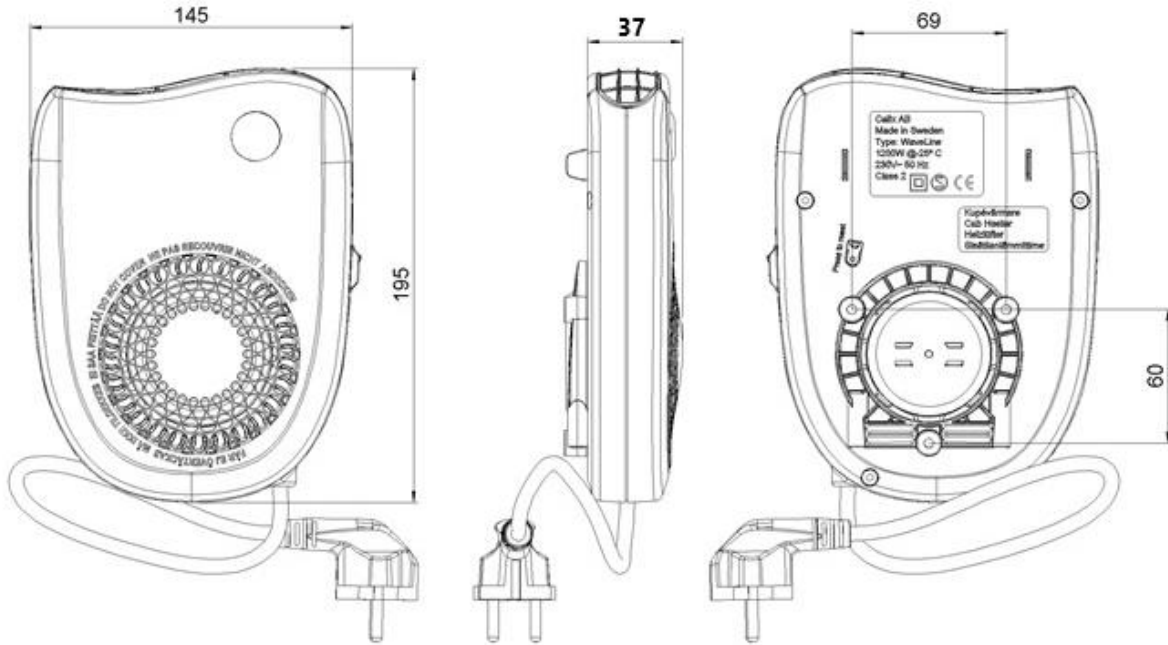


**Technical Data:
 Cab Heater WaveLine 1100**

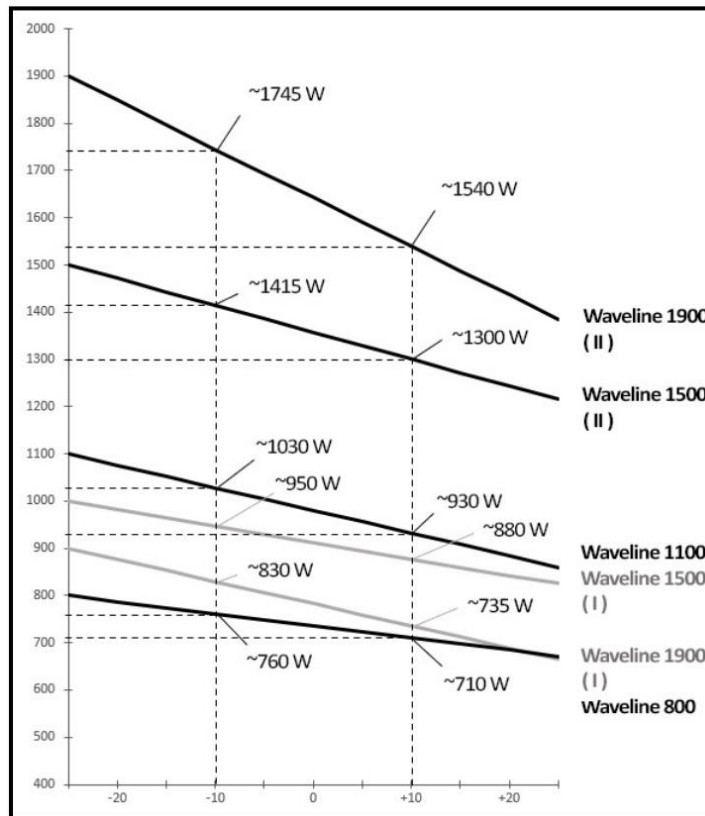

Subject:	Data:	Note:
1. Electrical input		
Main supply	230VAC 50Hz	
Rated power	1100W	
Consumption from main supply	Max 6A	
2. Power output		
Function	Off, On	
Power output @-25°C	1100W	Tolerance +5%-10%
3. Dimension		
Length x Width x Height	195 x 145 x 37mm	
Weight include cable	720g	
230V connection cable length	~1m	
4. Temperature resistance		
Operating temperature	-40°C to +50°C	
Storage temperature	-40°C to +70°C	IEC 60068-2-14 Test Nb
5. Degree of protection		
Degree of protection	IP20	
6. Noise		
	Max 50 dBA	
7. Insulation		
Insulation class	Class 2	
8. Certification		
Electrical safety	EN 60335-1. EN 60335-2-30 EN 50408	
EMF -	EN 62233	
EMC-emission / Immunity	EN 55014-1. EN 55014-2 EN 61000-3-2. EN 61000-3-3	

Subject:	Data:	Note:
-----------------	--------------	--------------

9. Dimension drawing



10. Power diagram



We reserve the right to change technical data without prior notice.