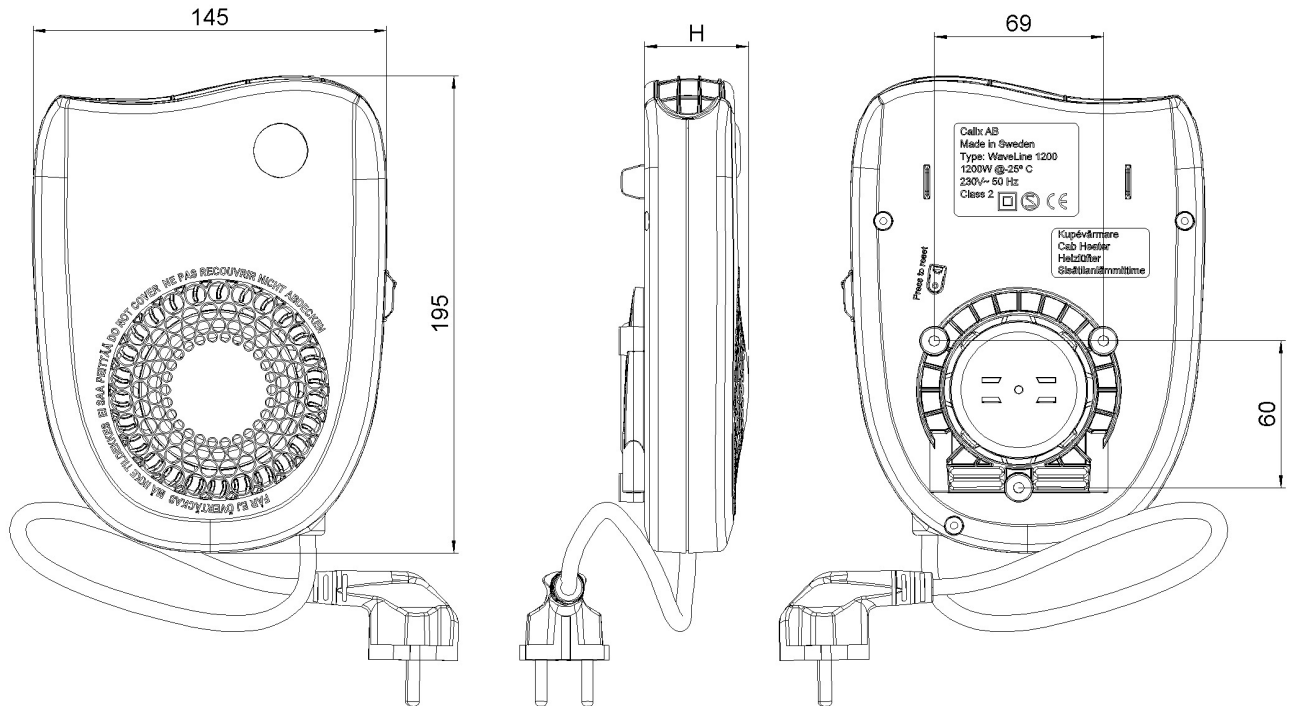


**Technical Data:
Cab Heater WaveLine 1200**



Subject:	Data:	Note:
1. Electrical input		
Main supply	230VAC 50Hz	
Rated power	1200W	
Consumption from main supply	Max 6A	
2. Power output		
Function	Off, On	
Power output @-25°C	1200W	Tolerance +5%-10%
Power output @-10°C	1100W	Tolerance +5%-10%
Power output @+10°C	1000W	Tolerance +5%-10%
3. Dimension		
Length x Width x Height	195 x 145 x 37mm	
Weight include cable	720g	
230V connection cable length	~1m	
4. Temperature resistance		
Operating temperature	-40 °C to +50 °C	
Storage temperature	-40 °C to +70 °C	IEC 60068-2-14 Test Nb
5. Degree of protection		
Degree of protection	IP20	
Noise		
Noise	Max 50 dBA	
6. Insulation		
Insulation class	Class 2	
7. Certification		
Electrical safety	EN 60335-1:2012 +A11 EN 60335-2-30:2003+A1+A2 EN 50408:2008 +A1	Intertek certificate number: 1706867
EMF -	EN 62233:2008	Intertek certificate: 1706867
EMC-emission / Immunity	EN 55014-1:2006+A1:2009 +A2:2011 EN 55014-2:2015 EN 61000-3-2:2014 EN 61000-3-3:2013	Intertek certificate number: No. 1707887STO-001



Part no	Type	H [mm]
1768038	800W	37
1768032	1200W	37
1768052	1700W	50
1768062	2000W	60