

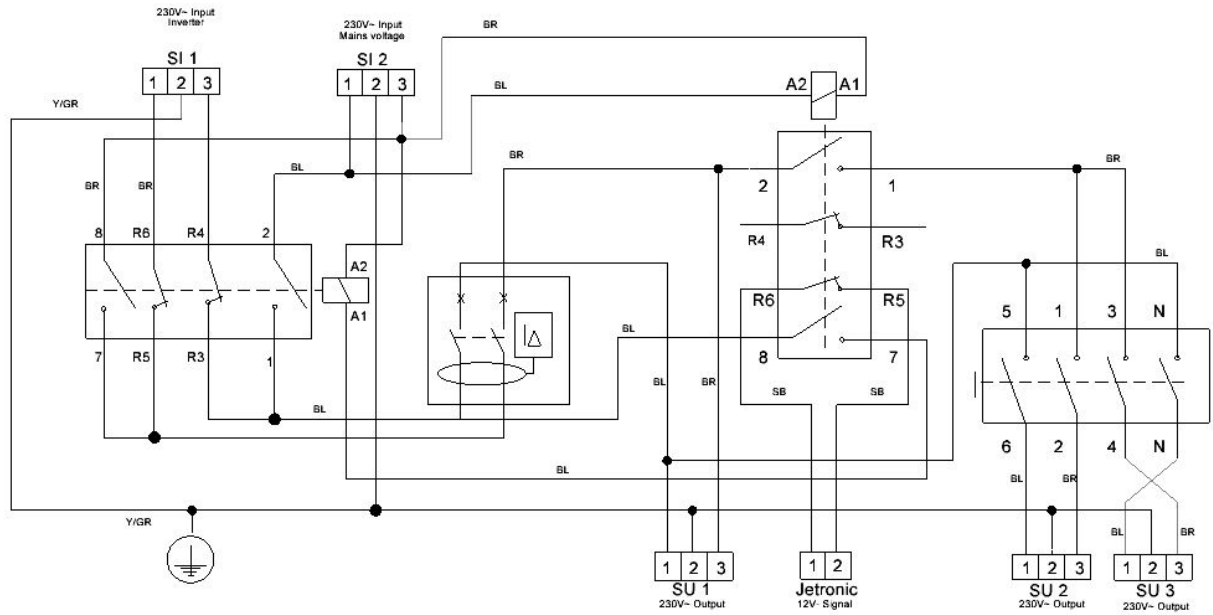
Distribution Central 38.

Part Number: 1930038



Subject:	Data:	Note:	
1. Electrical input			
Main supply	230 VAC 50Hz		
Inverter supply	230 VAC 50Hz		
Calix connector system	230 V / 16 A		
2. Electrical output			
1 Output voltage / Prioritized Consumer	230 VAC	Calix Connector: SU	
2 Output voltage / Consumer	230 VAC	Calix Connector: SU	
3 Output voltage / Battery Charger	230 VAC	Calix Connector: SU	
4 Immobilizer	12 VDC, NC	Jetronic Pig Tail	
3. Dimension			
Length x width x height	227 x 159 x 112 mm		
Weight with cables	1,5 kg		
4. Temperature resistance			
Operating temperature	-25°C to +60°C		
5. Degree of protection (IEC 60529)			
Degree of protection IEC 60529:2014	IP44		
6. Description			
<p>Model 38 is a distribution central with two inputs, three outputs and a 12V output. The functionality is similar to that of model 35, however, model 38 switches between land current and inverter automatically. When one inverter input is connected, two outputs are automatically disconnected. When the land current input is connected, all three outputs are connected. The outputs are usually connected to a battery charger or a water heater. The 12V output is used with for example an immobilizer. It opens the electrical circuit when the land current input is connected.</p>			
7. Date			
	Change description	Responsible	Issue

Wiring Diagram.



Dimension distribution central.

