

Technical Data**Calix preheater system components 120V AC / 230V AC**

Preheater system consists of:
GU 405 Branch outlet



Subject:	Data:	Note:
1. Certification:		
		C22.2#191. SS 428 08 69.
2. Electrical data:		
	Max. 120V/15A	C22.2#191.
	Max. 250V/16A	SS 428 08 69.
3. Temperature range:		
	-40°C to +125°C and 30min. +140°C	IEC 60068-2-14 SS EN 60068-2-14
4. Degree of protection:		
	IP46	SS EN 60 529
5. High pressure wash:		
	Working pressure: 170 bar Water flow: 17 l/min Water temperature: 90°C Distance: 300mm	Approved by SP, Swedish National Testing and Research Institute

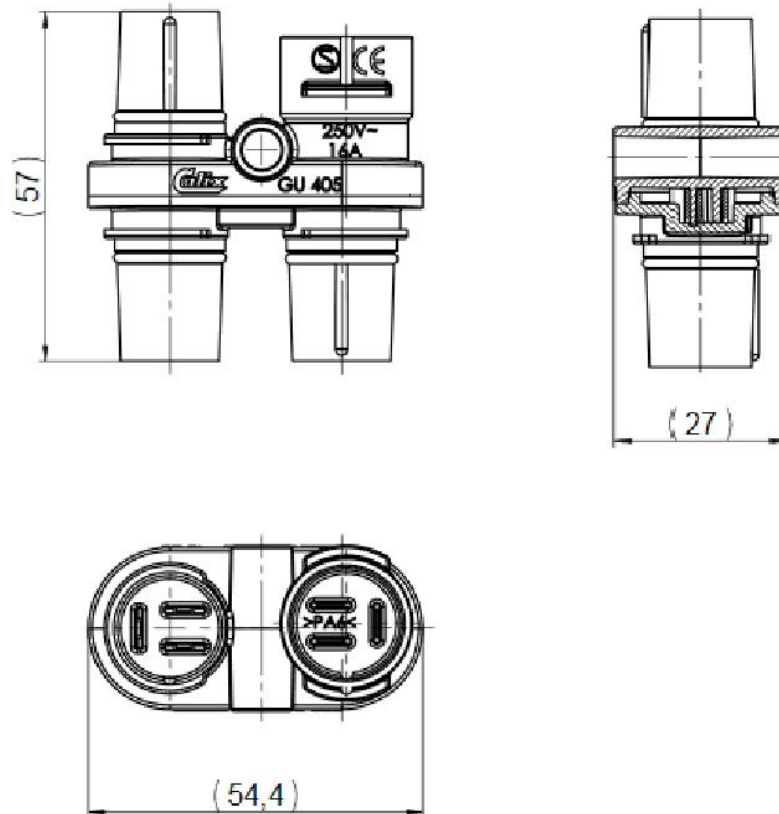
Subject:	Data:	Note:
-----------------	--------------	--------------

6. Chemical resistance		
		Volvo STD 7611;131 SAAB STD 5028
Chemicals	Type	Immersion Time/Temp.
Oil	IRM 902	48 h/90°C
Hydraulic oil	IRM 903	30 min/23°C
Grease	Gr 2 Diester	1 h/80°C
Grease	Gr 4 Silicone	1 h/80°C
Brake fluid	DOT 4	48 h/90°C
Battery fluid	25% H_2SO_4	1 h/50°C
Petrol	ISO 1817 liquid C	30 min/23°C
Petrol with alcohol	ISO 1817 liquid 4	24 h/23°C
Diesel	IRM 903/10% paraxylene	48 h/90°C
Biofuel	SS 155436	24 h/23°C
Alcofuel	SS 155437	24 h/23°C
Solvent	15-17% aromatic content	1 h/23°C
Window washing fluid	10% isopropanol, 40% ethanol , 50% water	1 h/23°C
Antifreeze	Volvo No. 1381079-1	1 h/80°C
Road salt	5% $CaCl_2/NaCl$ 95% water	48 h/23°C

7. Environment		
	IMDS	https://public.mdsystem.com/en/web/i/mds-public-pages/home
	REACH	REACH (EG) 1907/2006
	100% recoverable	Swedish Environmental Protection Agency 2017/04/09

8. Connector geometry		
		According to
	Calix	2403348

Subject:	Data:	Note:
-----------------	--------------	--------------

9. Dimension drawing

We reserve the right to change technical data without prior notice.