

**Technical Data**  
**Calix preheater system components 230V AC**

Preheater system contains of:  
LS 501      L-socket



Subject:	Data:	Note:
----------	-------	-------

1. Certification		
		C22.2#191 SS 428 08 69

2. Electrical Data		
	Max. 120V/15A Max. 250V/16A	C22.2#191 SS 428 08 69

3. Temperature range		
	-40°C to +125°C and 30min. +140°C	IEC 60068-2-14 SS EN 60068-2-14

4. Degree of protection		
	IP46	SS EN 60 529

5. High pressure washing		
	Working pressure: 170 bar Water flow:17 l/min Water temperature:90°C Distance:300mm	Approved by SP, Swedish National Testing and Research Institute

<b>Subject:</b>	<b>Data:</b>	<b>Note:</b>
-----------------	--------------	--------------

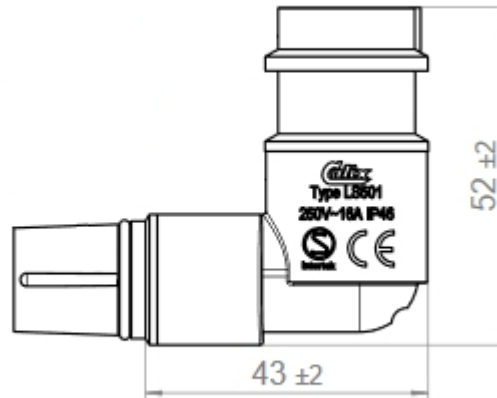
<b>6. Chemical resistance</b>		
		Volvo STD 7611;131 SAAB STD 5028
<b>Chemicals</b>	<b>Type</b>	<b>Immersion Time/Temp.</b>
Oil	IRM 902	48 h/90°C
Hydraulic oil	IRM 903	30 min/23°C
Grease	Gr 2 Diester	1 h/80°C
Grease	Gr 4 Silicone	1 h/80°C
Brake fluid	DOT 4	48 h/90°C
Battery fluid	25%H <sub>2</sub> SO <sub>4</sub>	1 h/50°C
Petrol	ISO 1817 liquid C	30 min/23°C
Petrol with alcohol	ISO 1817 liquid 4	24 h/23°C
Diesel	IRM 903/10% paraxylene	48 h/90°C
Biofuel	SS 155436	24 h/23°C
Alcofuel	SS 155437	24 h/23°C
Solvent	15-17% aromatic content	1 h/23°C
Window washing fluid	10% isopropanol, 40% ethanol , 50% water	1 h/23°C
Antifreeze	Volvo No. 1381079-1	1 h/80°C
Road salt	5% CaCl <sub>2</sub> /NaCl 95% water	48 h/23°C

<b>7. Envirement</b>		
	IMDS	<a href="https://public.mdsystem.com/en/web/imds-public-pages/home">https://public.mdsystem.com/en/web/imds-public-pages/home</a>
	REACH	REACH (EG) 1907/2006

<b>8. Recycling</b>		
	100% recoverable	Swedish Environmental Protection Agency 2017/04/09

<b>9. Connector geometry Type</b>		
		<b>According to</b>
		2400261 2400207

<b>Subject:</b>	<b>Data:</b>	<b>Note:</b>
-----------------	--------------	--------------

**10. Dimension drawing**

We reserve the right to change technical data without prior notice.