

**Battery charger: BC 1230**

Type of Charger: Switch mode. Charger with temperature controlled charging  
Charge characteristics: I/U/U.



Subject:	Data:	Note:
----------	-------	-------

1. Electrical input		
Main supply	230 VAC 50-60 Hz	(190-254 VAC)
Rated power	450 W	
Consumption from main supply	Max 3 A	
Calix connector system	230 V / 16 A	

2. Electrical output		
System voltage	12 VDC	
Charging voltage	14,4 V / 13,7 V	High / low charging phase
Max charging current	30 A	
Charging current according to EN 60335-2-29	30 A	
Consumption from battery	< 1 mA	
Recommended battery capacity	60-400 Ah	At normal use in vehicle, 100% discharge. 50% discharge 200Ah. All at +20°C.
Short circuit protection	Built in	
Protection against wrong connection	Yes	Alt. External fuse
Fuse, secondary side	No	
Temperature controlled charging	Yes	3 mV/degree @ 25°C
Secondary wire harnesses	RK AWG10	Temp sense integrated in black cable shoe, minus connector

3. Dimension		
Length x width x height	192 x 98 x 49 mm	
Weight with cables	1,7 kg	
Length secondary cables	1500 mm	with ring terminal M8

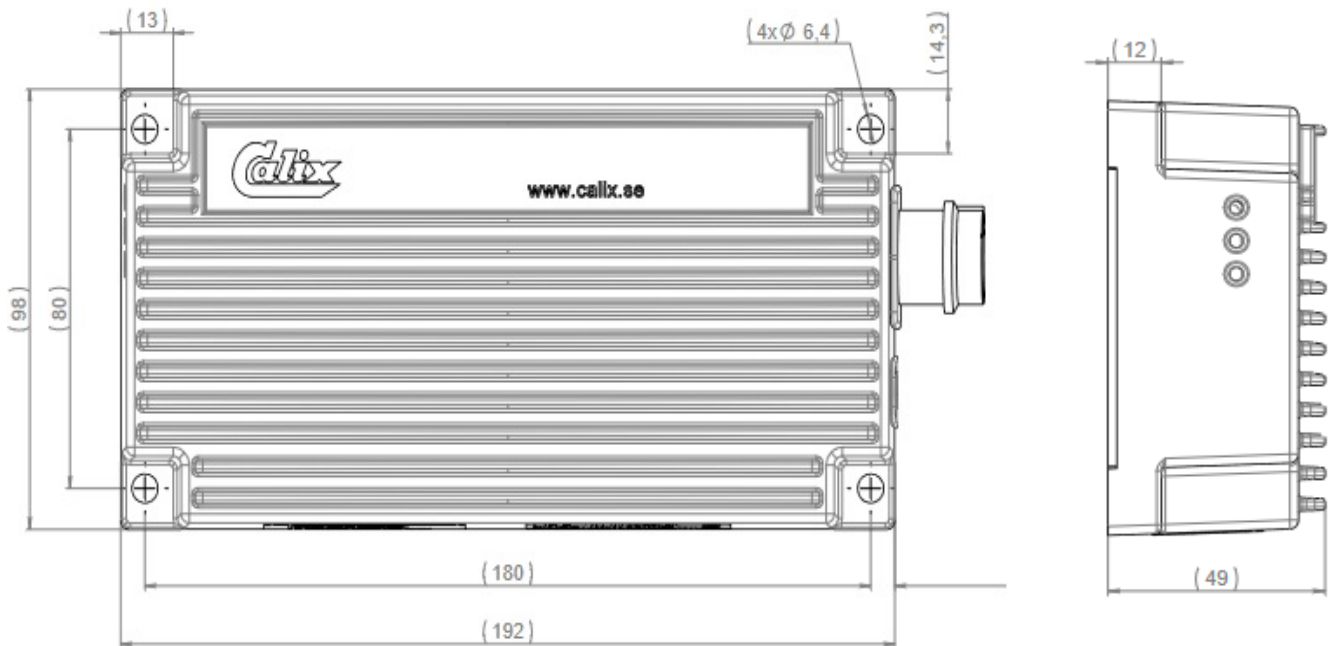
4. Temperature range		
Usage temperature	-25°C to +40°C	Battery charging range
Charger operating temperature	-40°C to +55°C	Reduced charging capacity from +40°C
Storage temperature	-40°C to +105°C	IEC 60068-2-14 Test Nb

5. Degree of protection		
Degree of protection	IP46	IEC 60529.

6. Certification		
Electrical safety	EN 60 335-1. EN 60 335-2-29.	
EMC-emission / Immunity	EN 62 233.	
EMC-Directive	EN 61000-6-2. EN 61000-6-3. EN 61000-3-2. EN 61000-3-3.	

Subject:	Data:	Note:
----------	-------	-------

7. Dimension drawing.



We reserve the right to change technical data without prior notice.