

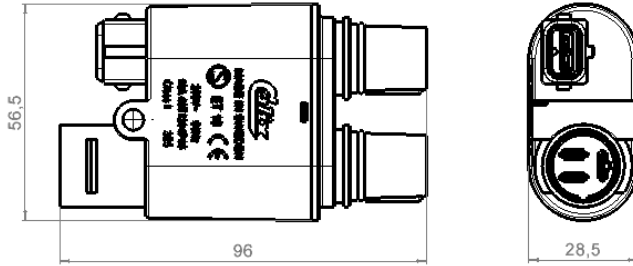
## External thermostat: ET10

Temperature: 10°C

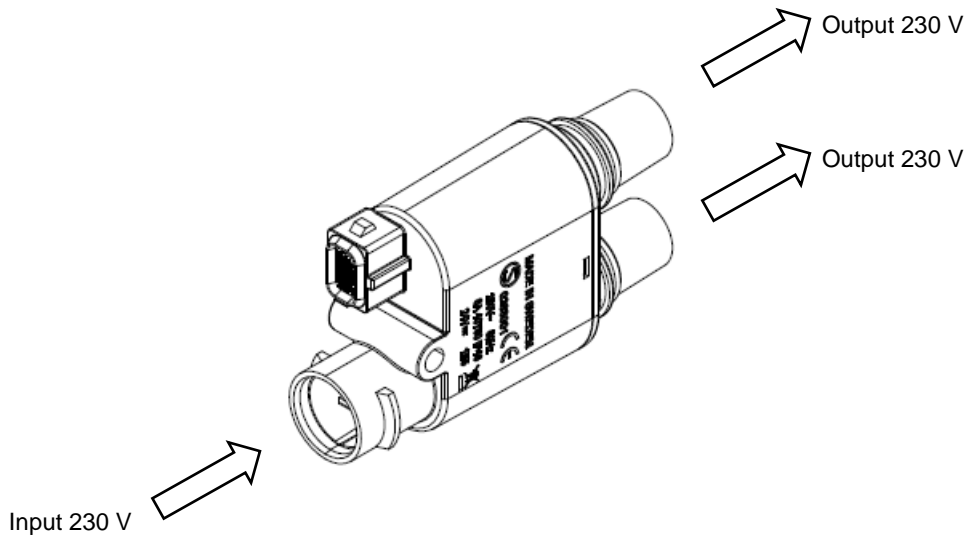


1. General technical data			
Main supply	230 VAC 50-60 Hz		
Max current	10 A		
2. Thermostat			
Nominal open temperature thermostat	+15°C		
Differential temperature thermostat	+10°C		
Nominal closing temperature thermostat	+5°C		
Operating temperature range	0°C to +204°C		
Electrical rating (ENEC)	100 000 cycles 30 000 cycles	240 VAC 13,5 A 240 VAC 16 A	With inductive load: 1,66 A With inductive load: 5 A (KEMA cert # EN2014531.16)
Electrical rating (UL and C-UL)	100 000 cycles	120 VAC 0-9 A 240 VAC 0-5 A 277 VAC 7,2 A	(acc to E9977 category XAPX2, XAPX8)
3. Chemical resistance			
Ethanol fuel	ISO 16750-5		SP Swedish National Testing and Research Institute Reference: – F106699
Gearbox oil			
Break oil			
Coolant			
Mineral and synthetic oils			
Hydraulic oil			
Diesel fuel			
Biodiesel fuel			
Anti-freeze coolants			
Salt water, mean salt level of the world's seas			
AdBlue, urea			
4. Dimension			
Length x width x height	57 x 29 x 96 mm		
Weight	0,8 kg		
5. Temperature resistance			
Operating temperature	-40°C to +125°C	KEMA cert # EN2014531.16	
Storage temperature	-40°C to +105°C		
6. Climate environment tests			
High temperature	150°C, 2 hours		KEMA cert # EN2014531.16
Thermal shock	10 cycles of -20° & 150°C alt, 30 min		
Low temperature	-20° C, 24 h		
Damp heat	+40°C, 90~%RH		
7. Vibration			
Vibration	Amp 1,5 mm, freq 10-55Hz, 2 h		KEMA cert # EN2014531.16
8. Degree of protection (IEC 60529)			
Degree of protection	IEC 60529:2014, IP46		Cert no. SE-S-2002155 Intertek
9. Certification			
Electrical safety	EN 60 335-1:2012		Cert no. SE-S-2002155 Intertek
Miniature connecting devices	SS 428 08 69		Cert no. SE-S-2002155 Intertek

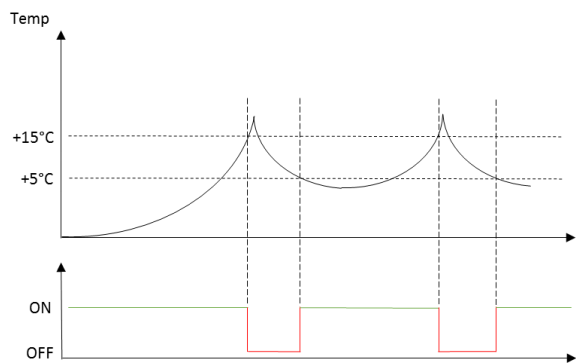
**10. Dimensional data**



**11. Function description**



The external thermostat is opening the terminal when the temperature reaches +15°C and closes when the temperature drops below +5°C.





Issued by  
AC

## TECHNICAL DATA

Date  
2019-09-17

Approved  
PB

**TD 19-054**

Revision  
S3

Page  
3 of 3

### 12. Doc. change record

Date	Change description	Sign	Rev
2022-03-08	1. General technical data: changes current from 16 A to 10 A	RE	S3