

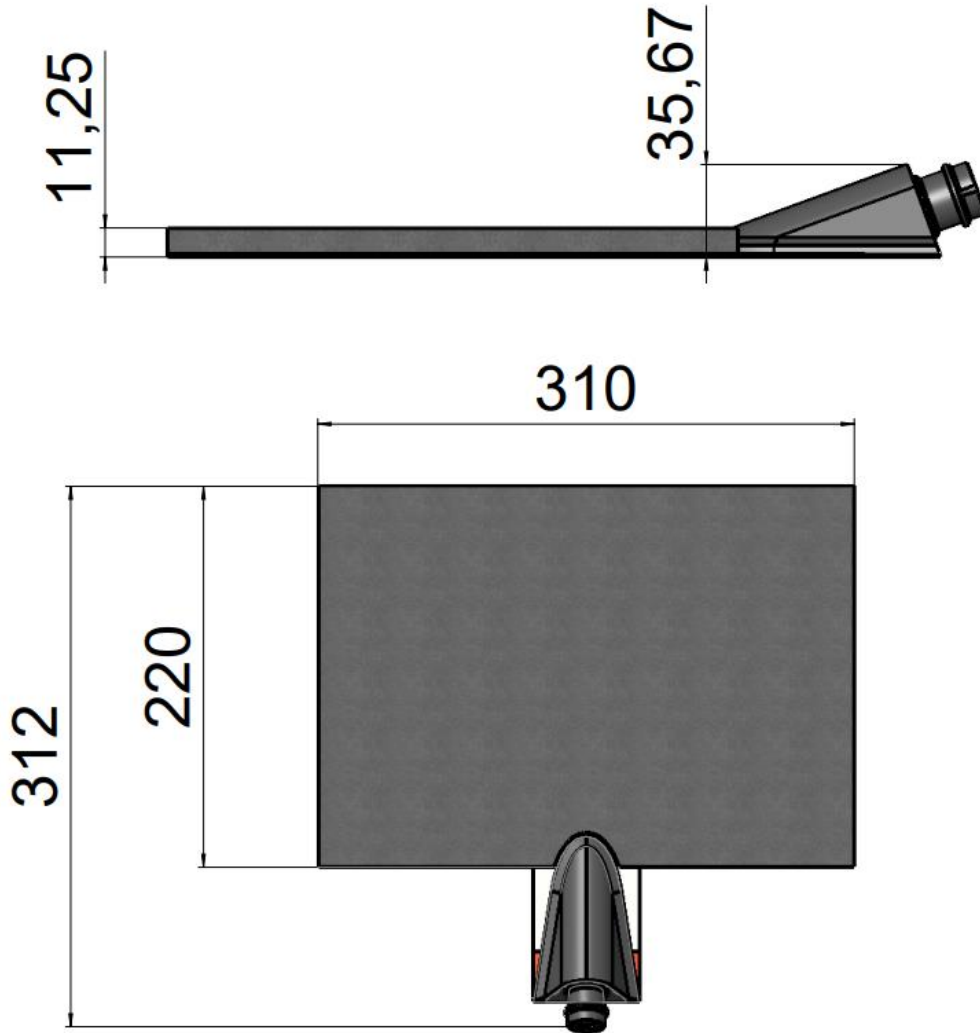
Technical Data

Tank heater, type TKV 11



Subject	Data	Note
1. Certification		
Electrical safety	EN 60 335-1:2012	
Engine preheater	SS 433 07 90	
2. Electrical data		
Main supply	230 VAC	
Power	260 W	
3. Degree of protection		
The appliance inlet connected to the cable.	IP46	SS EN 60 529
4. Temperature range		
Operation temperature	-40°C to +125°C	
Storage temperature	-40°C to +90°C	
5. Connector geometry		
	Calix interface SI	SS 428 08 69

6. Dimension



6. Doc. change record

Date	Change description	Sign	Rev
2022-10-04	General update	RE	S2

We reserve the right to change technical data without prior notice.